

Big Bee Eyes Moving Head Light
ZOOM and Rotation
19pcs 20W 4in1



User Manual

KEEP THIS MANUAL FOR FUTURE NEEDS

1. Unpacking

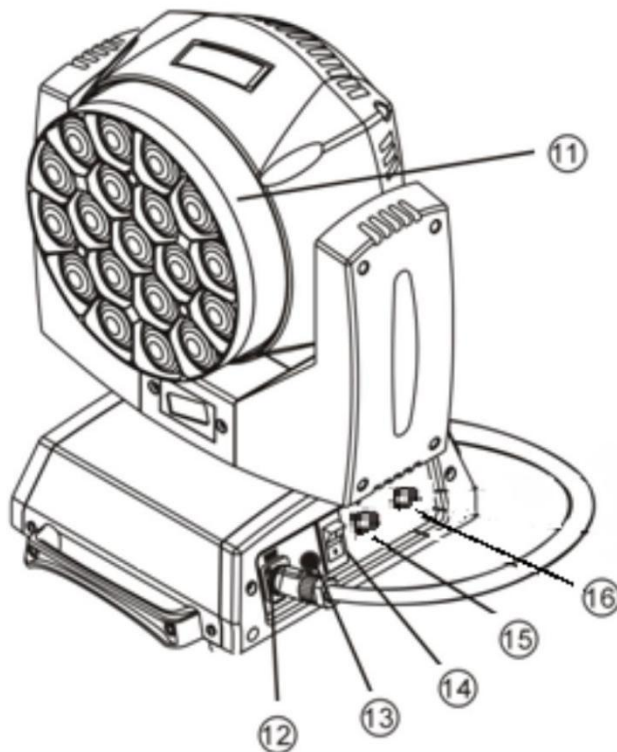
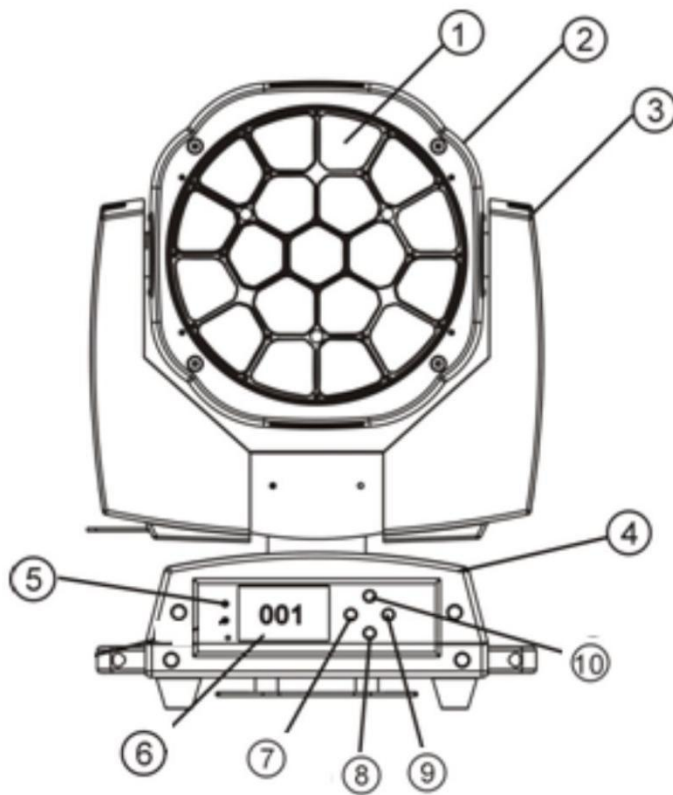
Thank you for choosing our lighting. For your own safety, please read this manual before installing the device. This manual covers the important information on installation and applications. Please install and operate the fixture with following instructions. Meanwhile, please keep this manual well for future needs.

This fixture is made of a new type of high temperature strength of engineering plastics and cast aluminum casing with nice outlook. The fixture is designed and manufactured strictly following CE standards, complying with international standard DMX512 protocol. It's available independently controlled and linkable with each other for operation. And it is applicable for large-scale live performances, theater, studio, nightclubs and discos.

4-IN-1 LEDs(RGBW) which features high brightness and stability. Please carefully unpack it when you receive the fixture and check whether it is damaged during the transportation. And please check whether the following items are included inside the box:

Moving Head-----One	Signal Cable----One
Hanging Bracket-----Two	Power Cable----One
Safety Cable-----one	User Manual----One

2. Product Introduction



- ① Lens
- ② Head
- ③ Arm
- ④ Bottom
- ⑤ Dmx signal LED
- ⑥ LCD Display
- ⑦ Menu-button
- ⑧ Down-button
- ⑨ Enter-button
- ⑩ UP-button
- ⑪ Lens plate
- ⑫ Power in
- ⑬ Power out
- ⑭ Power switch
- ⑮ DMX in
- ⑯ DMX out

3. Safety Instructions



CAUTION!

Be careful with your operations. With a dangerous voltage you can suffer a dangerous electric shock when touching wires!

This device has left the factory in perfect condition. In order to maintain this condition and to ensure a safe operation, it is absolutely necessary for the user to follow the safety instructions and warning notes written in this user manual.



Important:

Damages caused by the disregard of this user manual are not subject to warranty. The dealer will not accept liability for any resulting defects or problems.

If the device has been exposed to temperature changes due to environmental changes, do not switch it on immediately. The arising condensation could damage the device. Leave the device switched off until it has reached room temperature.

This device falls under protection-class I. Therefore it is essential that the device be earthed.

The electric connection must carry out by qualified person.

The device shall only be used with rate voltage and frequency.

Make sure that the available voltage is not higher than stated at the end of this manual.

Make sure the power cord is never crimped or damaged by sharp edges. If this would be the case, replacement of the cable must be done by an authorized dealer.

Always disconnect from the mains, when the device is not in use or before cleaning it. Only handle the power cord by the plug. Never pull out the plug by tugging the power cord.

During initial start-up some smoke or smell may arise. This is a normal process and does not necessarily mean that the device is defective, it should decrease gradually.

Please don't project the beam onto combustible substances.

Fixtures cannot be installed on combustible substances, keep more than 50cm distance with wall for smooth air flow, so there should be no shelter for fans and ventilation for heat radiation.

If the external flexible cable or cord of this luminaire is damaged, it shall be exclusively replaced by the manufacturer or his service agent or a similar qualified person in order to avoid a hazard.

4. Operation Instructions

- The moving head is for wash effect for on-site decoration purpose.
- Don't turn on the fixture if it's been through severe temperature difference like after transportation because it might damage the light due to the environment changes. So make sure to operate the fixture until it is in normal temperature.
- This light should be keep away from strong shaking during any transportation or movement.
- Don't pull up the light by only the head, or it might cause damages to the mechanical parts.
- Don't expose the fixture in overheat, moisture or environment with too much dust when installing it. And don't lay any power cables on the floor. Or it might cause electronic shock to the people.
- Make sure the installation place is in good safety condition before installing the fixture.
- Make sure to put the safety chain and check whether the screws are screwed properly when installing the fixture.
- Make sure the lens are in good condition. It's recommended to replace the units if there are any damages or severe scratch.
- Make sure the fixture is operated by qualified personnel who knows the fixture before using.
- Keep the original packages if any second shipment is needed.
- Don't try to change the fixtures without any instruction by the manufacturer or the appointed repairing agencies.
- It is not in warranty range if there are any malfunctions from not following the user manual to operate or any illegal operation, like shock short circuit, electronic shock, lamp broke, etc.

5. Mounting and Installation

Cautions: For added protection mount the fixtures in areas outside walking paths, seating areas, or in areas were the fixture might be reached by unauthorized personnel.

Before mounting the fixture to any surface, make sure that the installation area can hold a minimum point load of 10 times the device's weight.

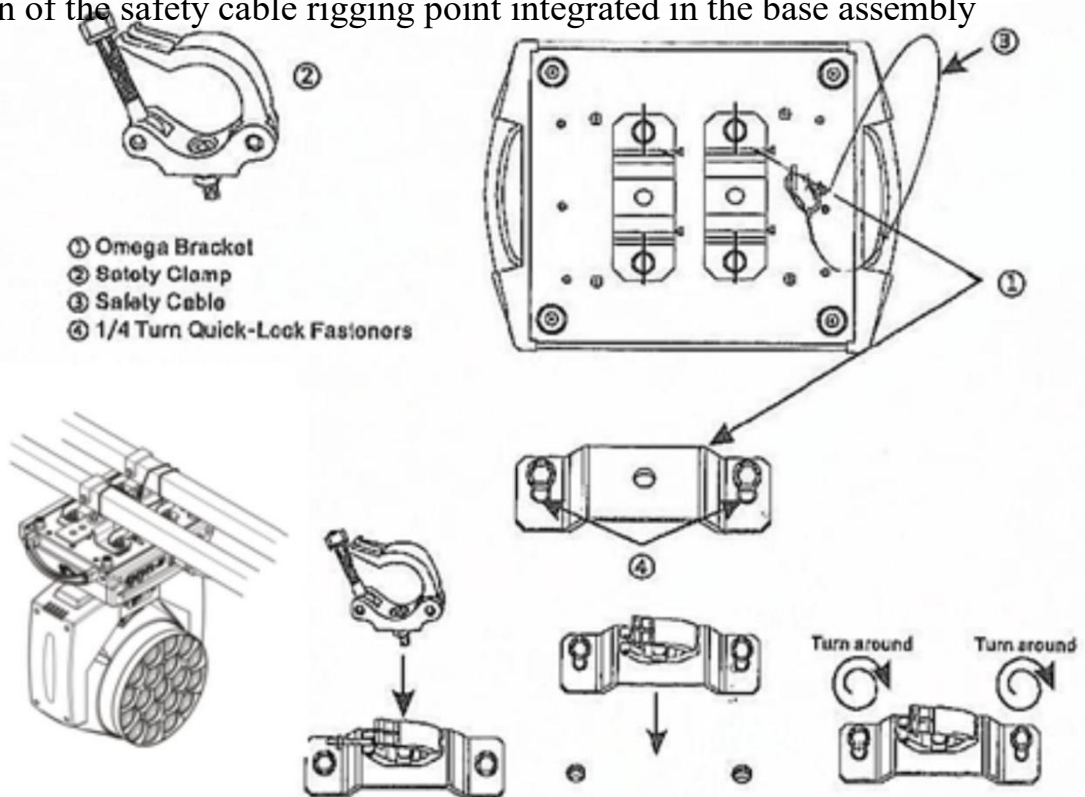
Fixture installation must always be secured with a secondary safety attachment, such as an appropriate safety cable.

Never stand directly below the device when mounting, removing, or servicing the fixture from a

periodic safety inspection of all installation material and the fixture. If you lack these qualifications, do not attempt the installation yourself. Improper installation can result in bodily injury.

Be sure to complete all rigging and installation procedures before connecting the main power cord to the appropriate wall outlet.

Clamp Mounting: The HAWKEYE II provides a unique mounting bracket assembly that integrates the bottom of the base, the included “Omega Bracket,” and the safety cable rigging point in one unit (see the illustration below). When mounting this fixture to truss be sure to secure an appropriately rated clamp to the included omega bracket using a M10 screw fitted through the center hole of the “omega bracket”. As an added safety measure be sure to attached at least one properly rated safety cable to the fixture using on of the safety cable rigging point integrated in the base assembly



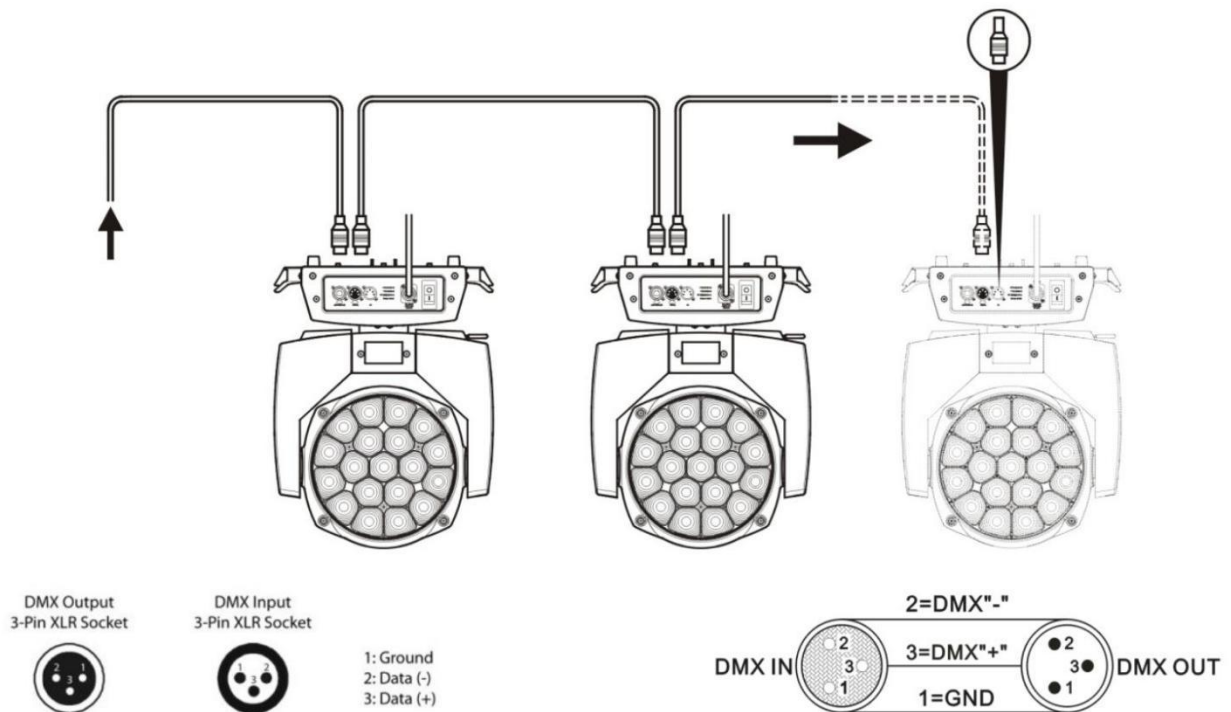
Regardless of the rigging option you choose for your 19pcs zoom, always be sure to secure your fixture with a safety cable. The fixture provides a built-in rigging point for a safety cable on the hanging bracket as illustrated above. Be sure to only use the designated rigging point for the safety cable and never secure a safety cable to a carrying handle.

6. DMX-512 control connections

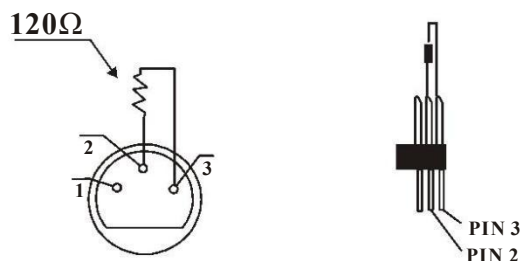
Connect the provided XLR cable to the female 3-pin XLR output of your controller and the other side to the male 3-pin XLR input of the moving head. You can chain multiple

Moving heads be connected together through serial linking. The cable needed should be two core, screened cable with XLR input and output connectors. Please refer to the diagram below.

DMX-512 connection with DMX terminator



For installations where the DMX cable has to run a long distance or is in an electrically noisy environment, such as in a discotheque, it is recommended to use a DMX terminator. This helps in preventing corruption of the digital control signal by electrical noise. The DMX terminator is simply an XLR plug with a 120 Ω resistor connected between pins 2 and 3, which is then plugged into the output XLR socket of the last fixture in the chain. Please see illustrations below.



23 Channels Mode

Channel	Function	DMX Value	Description
1	X Axis	0-255	0-540 degree
2	X Axis Fine Tuning	0-255	16bit adjustable
3	Y Axis	0-255	0-205 degree
4	Y Axis Fine Tuning	0-255	16bit adjustable
5	XY Speed	0-255	Speed from fast to slow
6	Zooming	0-255	Angle from small to large
7	Rotation	0-127	0~60 degree
		128-191	Rotation from fast to slow, infinite rotation
		200-255	From slow to fast, infinite anticlockwise
8	General Dimming	0-255	Linear dimming from dark to brightness
9	Strobe	0-3	Light On
		4-255	Synchronization strobe speed from slow to fast (1HZ-25HZ)
10	R Dimming	0-255	Linear dimming from dark to brightness
11	G Dimming	0-255	Linear dimming from dark to brightness
12	B Dimming	0-255	Linear dimming from dark to brightness
13	W Dimming	0-255	Linear dimming from dark to brightness
14	Color Temperature	0-255	Linear color temperature adjust
15	Wash	0-255	Built-in color choose, 4 numbers as one combining color
16	Static Effect	0-255	7 numbers as an effect
17	Dynamic Effect	0-255	3 numbers as an effect
18	Dynamic Effect Speed	0-255	From slow to fast (Coordinate 15 Channel)
19	Background Color Red	0-255	Linear dimming from dark to brightness
20	Background Color Green	0-255	Linear dimming from dark to brightness
21	Background Color Blue	0-255	Linear dimming from dark to brightness
22	Background Color White	0-255	Linear dimming from dark to brightness
23	Reset	0-250	No Function
		251-255	Light Reset 5S valid

25 Channel Mode

Channel	Function	DMX Value	Description
1	X Axis	0-255	0-540 degree
2	X Axis Fine Tuning	0-255	16bit adjustable
3	Y Axis	0-255	0-205 degree
4	Y Axis Fine Tuning	0-255	16bit adjustable
5	XY Speed	0-255	Speed from fast to slow
6	Zooming	0-255	Angle from small to large
7	Rotation	0-127	0~60 degree
		128-191	Rotation from fast to slow, infinite rotation
		200-255	From slow to fast, infinite anticlockwise
8	General Dimming	0-255	Linear dimming from dark to brightness
9	Strobe	0-3	Light On
		4-203	Synchronization strobe speed from slow to fast (1HZ-25HZ)
		204-255	Random Strobe
10	R Dimming	0-255	Linear dimming from dark to brightness
11	G Dimming	0-255	Linear dimming from dark to brightness
12	B Dimming	0-255	Linear dimming from dark to brightness
13	W Dimming	0-255	Linear dimming from dark to brightness
14	Color Temperature	0-255	Linear color temperature adjust
15	Wash	0-255	Built-in color choose, 4 numbers as one combining color
16	Pattern Fade	0-255	Pattern Effect Fade
17	Pattern Translation	0-255	Pattern Translation
18	Static Effect	0-255	7 numbers as an effect
19	Dynamic Effect	0-255	3 numbers as an effect
20	Dynamic Effect Speed	0-255	From slow to fast (Coordinate 15 Channel)
21	Background Color Red	0-255	Linear dimming from dark to brightness
22	Background Color Green	0-255	Linear dimming from dark to brightness
23	Background Color Blue	0-255	Linear dimming from dark to brightness
24	Background Color White	0-255	Linear dimming from dark to brightness
25	Reset	0-250	No Function
		251-255	Light Reset 5S valid

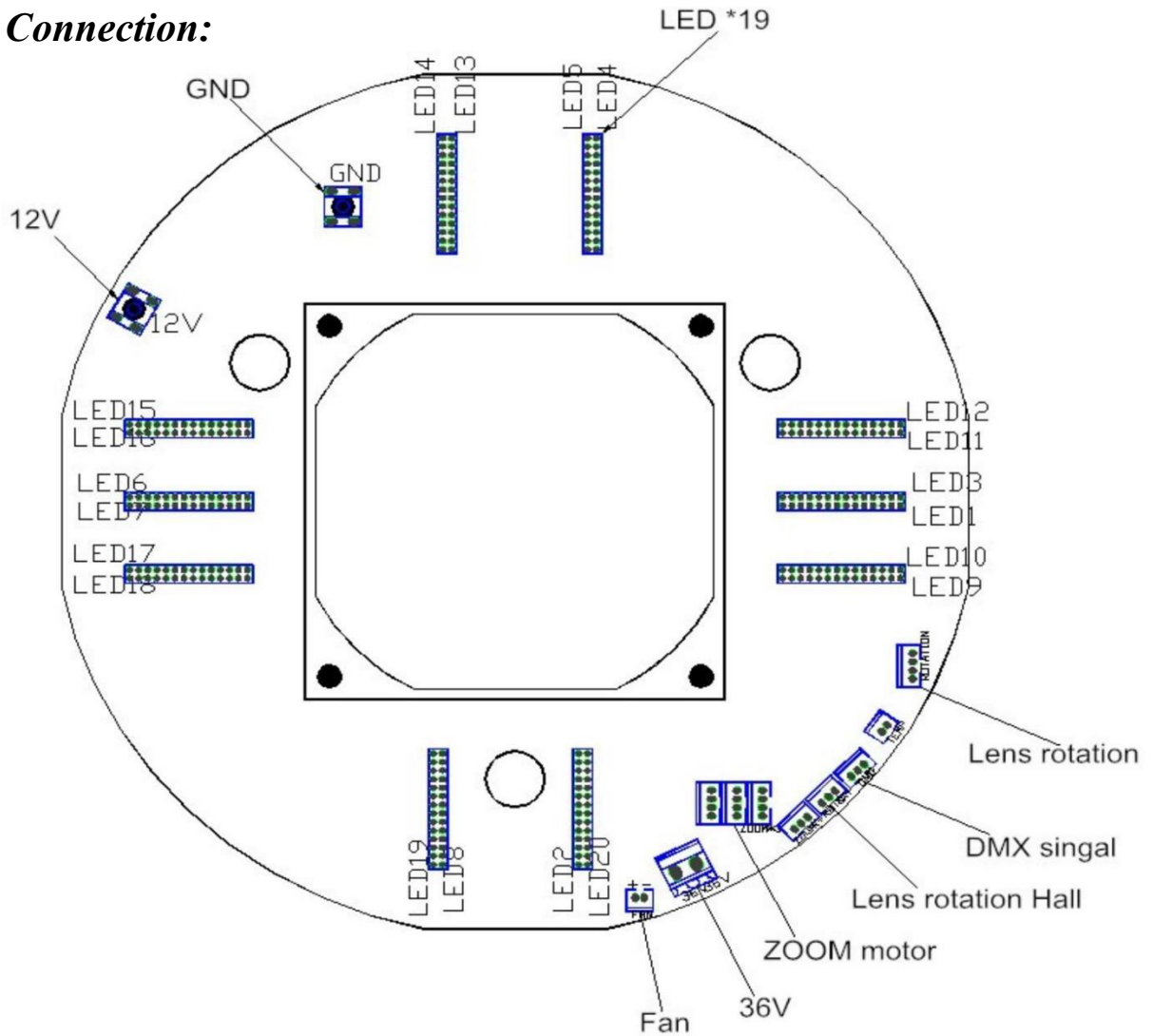
101 Channel Mode

Channel	Function	DMX Value	Description
1	X Axis	0-255	0-540 degree
2	X Axis Fine Tuning	0-255	16bit adjustable
3	Y Axis	0-255	0-205 degree
4	Y Axis Fine Tuning	0-255	16bit adjustable
5	XY Speed	0-255	Speed from fast to slow
6	Zooming	0-255	Angle from small to large
7	Rotation	0-127	0~60 degree
		128-191	Rotation from fast to slow, infinite rotation
		200-255	From slow to fast, infinite anticlockwise
8	General Dimming	0-255	Linear dimming from dark to brightness
9	Strobe	0-3	Light On
		4-203	Synchronization strobe speed from slow to fast (1HZ-25HZ)
		204-255	Random Strobe
10	R Dimming	0-255	Linear dimming from dark to brightness
11	G Dimming	0-255	Linear dimming from dark to brightness
12	B Dimming	0-255	Linear dimming from dark to brightness
13	W Dimming	0-255	Linear dimming from dark to brightness
14	Color Temperature	0-255	Linear color temperature adjust
15	Wash	0-255	Built-in color choose, 4 numbers as one combining color
16	Pattern Fade	0-255	Pattern Effect Fade
17	Pattern Translation	0-255	Pattern Translation
18	Static Effect	0-255	7 numbers as an effect
19	Dynamic Effect	0-255	3 numbers as an effect
20	Dynamic Effect Speed	0-255	From slow to fast (Coordinate 15 Channel)
21	Background Color Red	0-255	Linear dimming from dark to brightness
22	Background Color Green	0-255	Linear dimming from dark to brightness
23	Background Color Blue	0-255	Linear dimming from dark to brightness
24	Background Color White	0-255	Linear dimming from dark to brightness
25	Reset	0-250	No Function
		251-255	Light Reset 5S valid
26	R1 LED Dimming	0-255	Linear dimming from dark to brightness
27	G1 LED Dimming	0-255	Linear dimming from dark to brightness
28	B1 LED Dimming	0-255	Linear dimming from dark to brightness
29	W1 LED Dimming	0-255	Linear dimming from dark to brightness

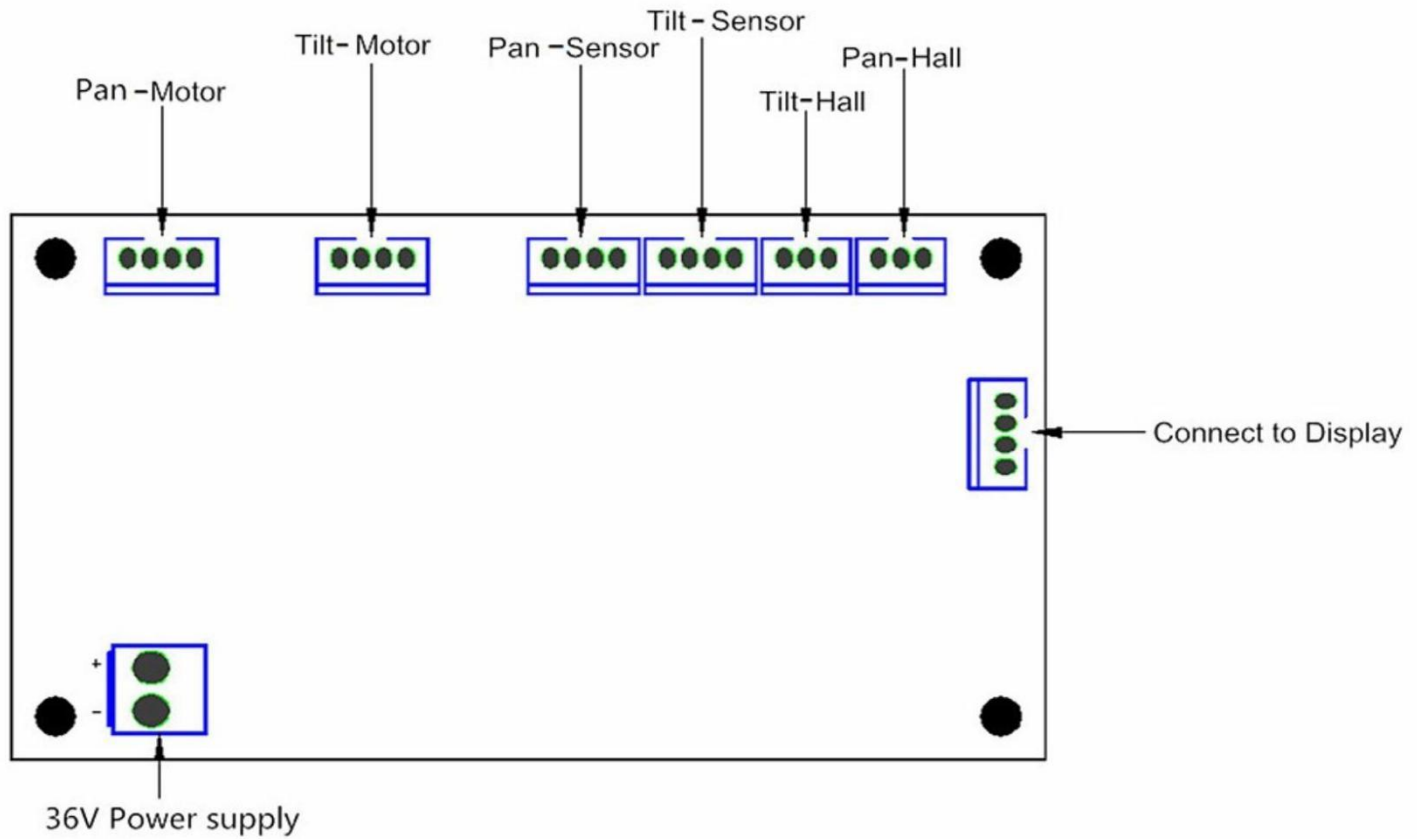
98	R1 LED Dimming	0-255	Linear dimming from dark to brightness

99	G1 LED Dimming	0-255	Linear dimming from dark to brightness
100	B1 LED Dimming	0-255	Linear dimming from dark to brightness
101	W1 LED Dimming	0-255	Linear dimming from dark to brightness

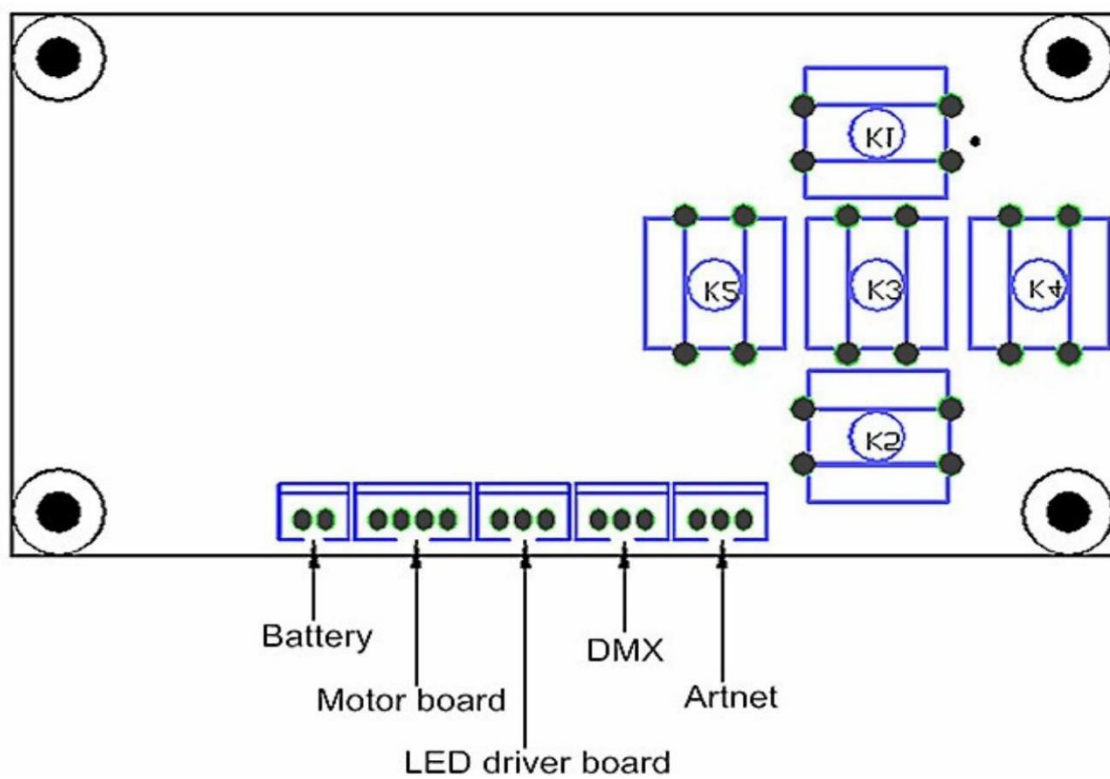
7.Board Connection:



Main Board:



Screen Board:



8. Key Features

Voltage: AC100V-240V, 50-60Hz

Power: 580W

LED Source: 19pcs*20W high power RGBW 4in1 LED

Zoom Angle: 4-60° Strobe: 0-20Hz

Control Mode: DMX512, Automatic, Sound Activated, Master-slave

DMX Channels: 23CH/25CH/101CH

Dimmer: 0-100% linear dimmer

Pan: 540°+16bit fine

Tilt: 270°+16bit fine

Display: LCD colorful display

IP: IP20 Rechargeable Battery: Optional(Customized)

Artnet: Optional

Product Size: 415*275*425 mm

Outer Packing Size: 530*420*510mm (1pcs/ctn), 19KGS

Flightcase 2in1 Size: 700*460*700mm(2pcs/ctn), 56KGS

Special Points:

1. Each LED can be controlled individually. With unique honeycomb designed lens
2. The front lens can rotate without limitation in forward and reverse direction to create amazing effects
3. Display screen can be turned upside down with 180°automatically to fit the installation in different place, Display can be equipped with rechargeable battery to set DMX address without power connection.
4. Can be used as beam, wash or effect light use (Kaleido effects)
5. The scanning position can be memory, it will be automatically reset without expected movement after rotation.
6. Fan cooling (fan will be change the speed with the temperature variation).

Temperature detecting system (If the temperature detected error, the light will stop working to protect the fixture)

9. Photometric Data:

LUX Data of 4 degree beam angle:

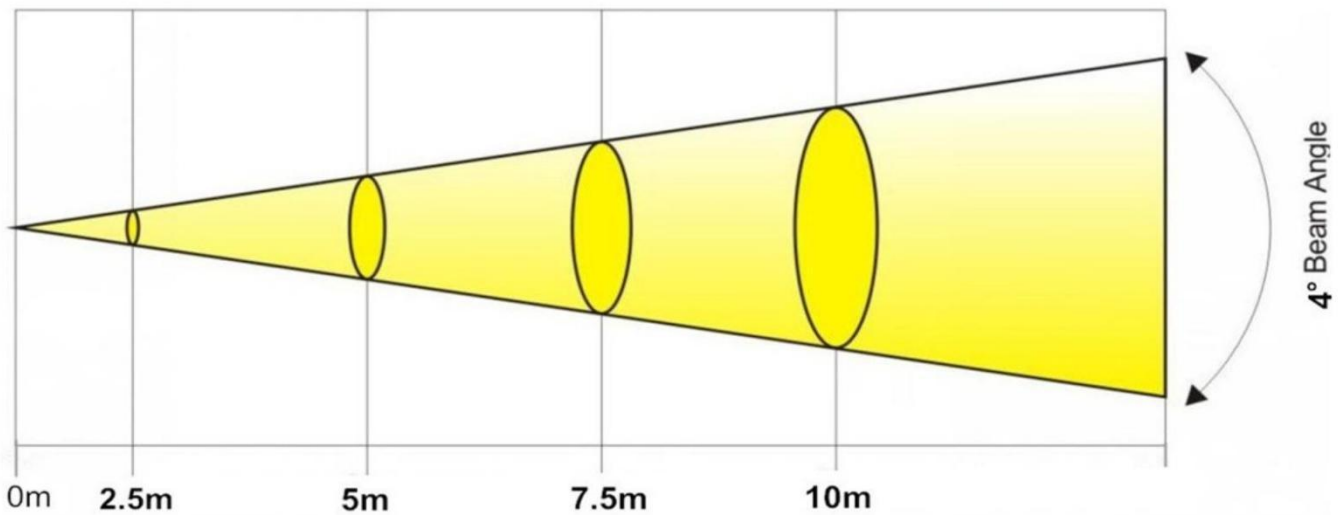
R 83700LUX@2.5m 2550LUX@5m 1150LUX@7.5m

G 13800LUX@2.5m 3800LUX@5m 1780LUX@7.5m

B 15300LUX@2.5m 4460LUX@5m 1970LUX@7.5m

W 18000LUX@2.5m 5300LUX@5m 2320LUX@7.5m

RGBW 50400LUX@2.5m 15500LUX@5m 6680LUX@7.5m



10. Maintenance and Cleaning

The following points have to be considered during the inspection:

1. All screws for installing the devices or parts of the device have to be tightly connected and must not be corroded.
2. There must not be any deformations on the housing, color lenses, fixations and installation spots (ceiling, suspension, trussing).
3. Mechanically moved parts must not show any traces of wearing and must not rotate with unbalances.
4. The electric power supply cables must not show any damage, material fatigue or sediments.

Further instructions depending on the installation spot and usage have to be adhered by a skilled installer and any safety problems have to be removed.



CAUTION!

Disconnect from mains before starting maintenance operation.

In order to make the lights in good condition and extend the life time, we suggest a regular cleaning to the lights.

- 1) Clean the inside and outside lens each week to avoid the weakness of the lights due to accumulation of dust.
- 2) Clean the fan each week.
- 3) A detailed electric check by approved electrical engineer each three month, make sure that the circuit contacts are in good condition, prevent the poor contact of circuit from overheating.

We recommend a frequent cleaning of the device. Please use a moist, lint- free cloth. Never use alcohol or solvents. There are no serviceable parts inside the device. Please refer to the instructions under “Installation instructions”. Should you need any spare parts, please order genuine parts from your local dealer